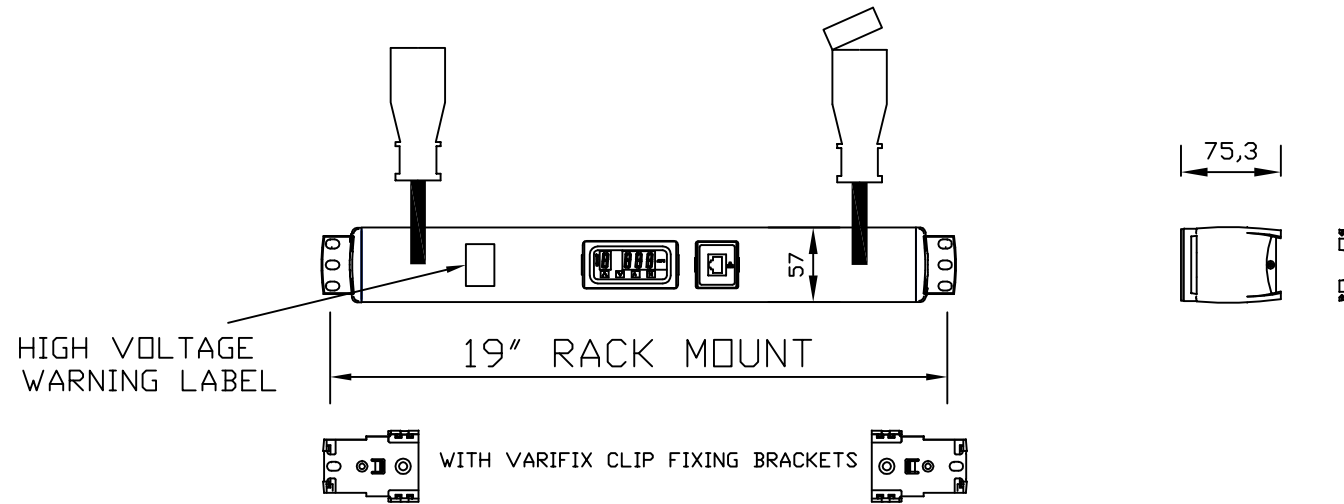


UNIT TYPE
PW322IM0UC17

PRODUCT SPEC DRAWING
EATON ePDU
(C) EATON 2010

FILE NAME
PW322IM0UC17

RELEASE DATE 18 JUN 10 ISSUE 01



DESCRIPTION: DB3000SS 19" 3M 32A 3PH EN60309 AMM IP 1W 1M 32A 3PH EN60309
CORDSET: 3M 4SQMM H07 5 CORE CABLE WITH 32A EN60309 3 PHASE PLUG
RECEPTACLES: 1 WAY 1M 4SQMM H07 5 CORE CABLE 32A EN60309 3 PHASE SOCKET
METER: TRUE RMS DIGITAL AMMETER & IP ETHERNET
PORT MEASURING INPUT LOAD CURRENT OF EACH PHASE
INPUT RATING: 32A / 400V AC
CERTIFICATION: CE MARKED TO EN60950-1

DIMENSIONS ARE IN MM
UNLESS OTHERWISE STATED

CONFIDENTIAL : The dissemination, disclosure, copying or distribution
of the ideas and information here in shown without our written
permission is strictly prohibited.

